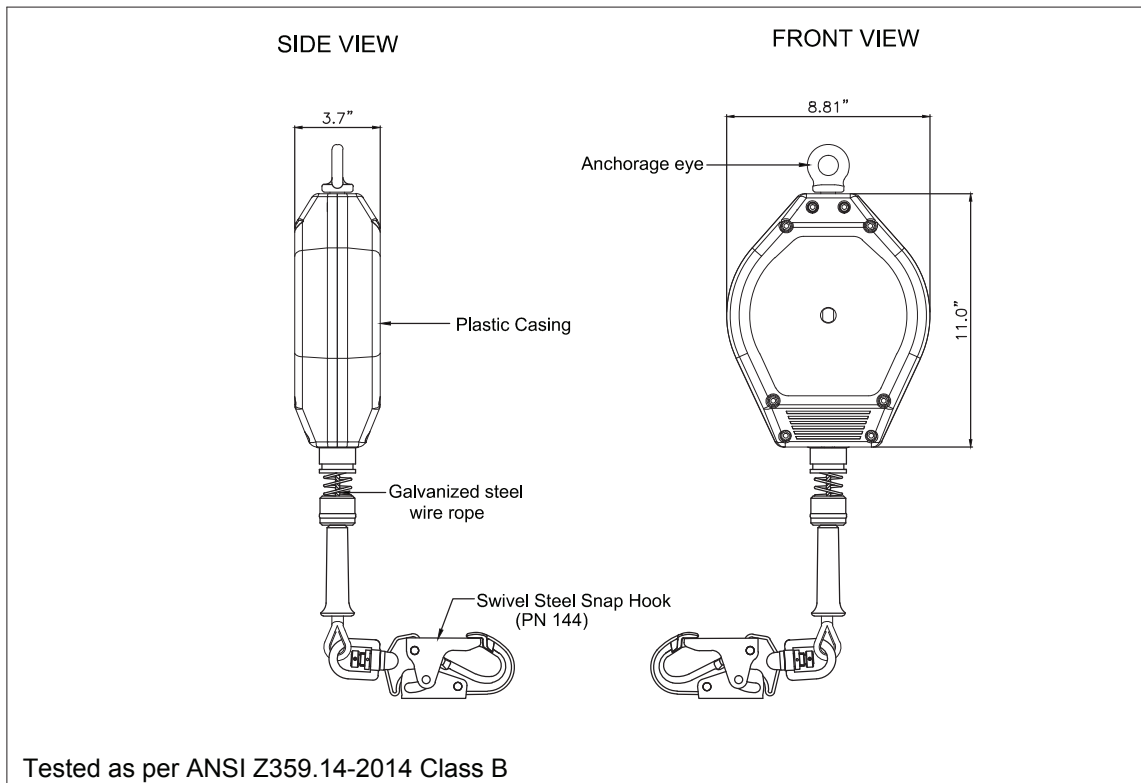


TECHNICAL SPECIFICATIONS

SRL 50' Galvanized Cable with Small Hook.

50' retractable galvanized cable, swivel top composite housing, 3/4" load indicator hook, 1/2" carabiner with tagline included. Blue housing. Meets or exceeds ANSI Z359.14-2014 Class B.



- PHYSICAL PARAMETERS:**
- Composite housing.
 - Robust & durable plastic casing.
 - Has swivel anchorage eye at anchorage end.
 - Swivel steel snap hook with load indicator at attachment end (PN 144 as per ANSI Z359.12-2009; gate strength 3600 lbs.).
 - Galvanized steel wire rope (option of having S.S. wire rope available).

LENGTH: 50'

3/16" GAC

CABLE: Material: Galvanized steel wire rope diameter of 3/16"
 Minimum Breaking Strength: 3300 lbs.

VITAL TEST COMPLIANCE:

Static Strength: 3000 lbs. for 1 minute.

Dynamic Strength: 300 lbs. mass subjected to a 4' free fall. SRL lock and remain lock until released.

Dynamic Performance: 282 lbs. mass subjected to a zero free fall with extension of 36" lifeline. Braking force less than 1800 lbs. Average braking force less than 900 lbs. and arrest distance less than 54".

WEIGHT: 15.30 lbs. ± 0.11 lbs.