

PN: SRL311321



• Fall Protection • Competent Training • Netting • PPE

Phone: (504) 733-1808
Fax: (504) 733-2996
PalmerSafetyUS.com

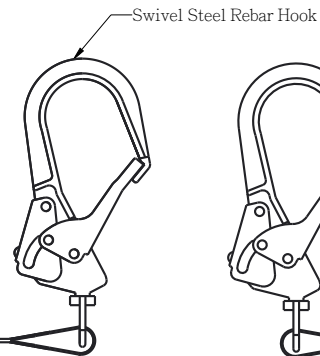
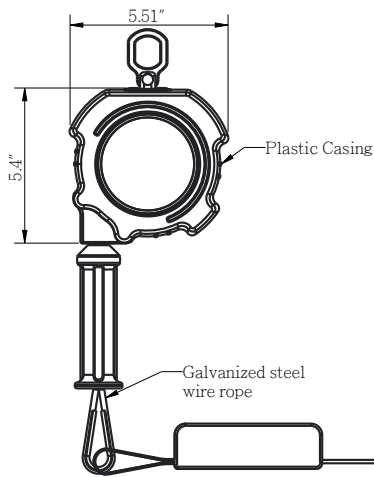
TECHNICAL SPECIFICATIONS

BEAST Series SRL 10' Galvanized Cable with Rebar Hook

10 ft. retractable galvanized cable, swivel top blue plastic housing, 2-1/2" swivel load indicator rebar hook, 1/2" carabiner, minimum breaking strength 3000 lbs., rated for 420 lbs. Meets or exceeds ANSI Z359.14-2021 Class 1.



FRONT VIEW



SIDE VIEW



Meets or Exceeds ANSI Z359.14-2021 Class 1

- PHYSICAL PARAMETERS:**
- Robust & durable plastic casing
 - Has swivel anchorage eye at anchorage end
 - 2-1/2" Swivel Load Indicator Rebar Hook

Class
1
Anchor at or above dorsal D-ring

LENGTH: 10 ft.

MATERIAL: Galvanized Steel Wire Rope

MINIMUM BREAKING STRENGTH: 3,000 lbs.

USER CAPACITY: ANSI 130 - 310 lbs. & OSHA 420 lbs.

WEIGHT: 6.07 lbs.

CONFORMS TO: Meets or Exceeds ANSI Z359.14-2021 Class 1