

PN: SRL1411242T



• Fall Protection • Competent Training • Netting • PPE

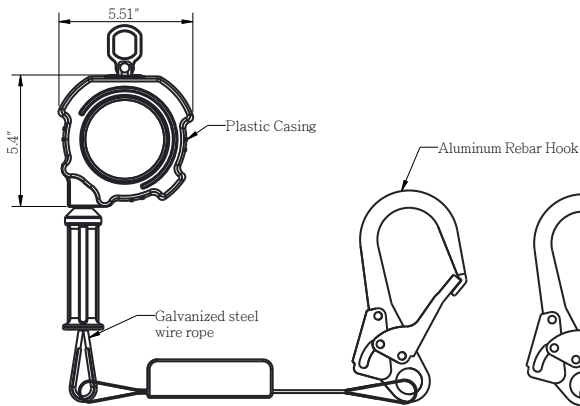
Phone: (504) 733-1808
Fax: (504) 733-2996
PalmerSafetyUS.com

TECHNICAL SPECIFICATIONS

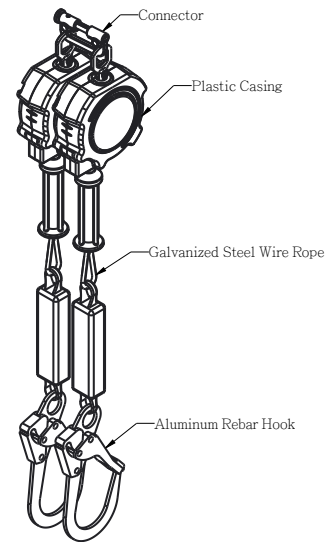
Dual SRL LE 9' Galvanized Cable with Aluminum Rebar Hook and SRL170 Connector

SRD 9' Leading Edge Twin Galvanized Cable with Aluminum Rebar hook, 9' retractable galvanized cable, swivel top composite housing, 2-1/2" aluminum rebar hook, 1/2" carabiner included. Black housing. Meets or exceeds ANSI/ASSE Z359.14-2014 Class B SRL-LE.

FRONT VIEW SRL1411242



SIDE VIEW



Meets or Exceeds ANSI Z359.14-2014 Class B SRL-LE

APPLICATION: Designed for foot-level tie-off and sharp edge applications

PHYSICAL PARAMETERS:

- Composite housing.
- Extremely compact, durable and lightweight plastic casing.
- Stainless Steel and corrosion-resistant components.
- Quick activating speed sensing brake systems.
- Galvanized steel wire rope 7/32".
- For sharp edge application.

LENGTH: 9 ft.

CABLE: Material: Galvanized steel wire rope diameter of 7/32"

MINIMUM BREAKING STRENGTH: 3300 lbs.

NORM: Meets or exceeds ANSI/ASSE Z359.14-2014 Class B SRL-LE.

VITAL TEST COMPLIANCE:

Static Strength: 3000 lbs. for 1 minute. Dynamic Strength: 300 lbs. mass subjected to a 4' free fall. SRL lock and remain lock until released.
Dynamic Performance: 282 lbs. mass subjected to a zero free fall with extension of 36" lifeline. Braking force less than 1800 lbs. Average braking force less than 900 lbs. and arrest distance less than 54".

WEIGHT: 11.21 lbs. ± 0.02 lbs.

