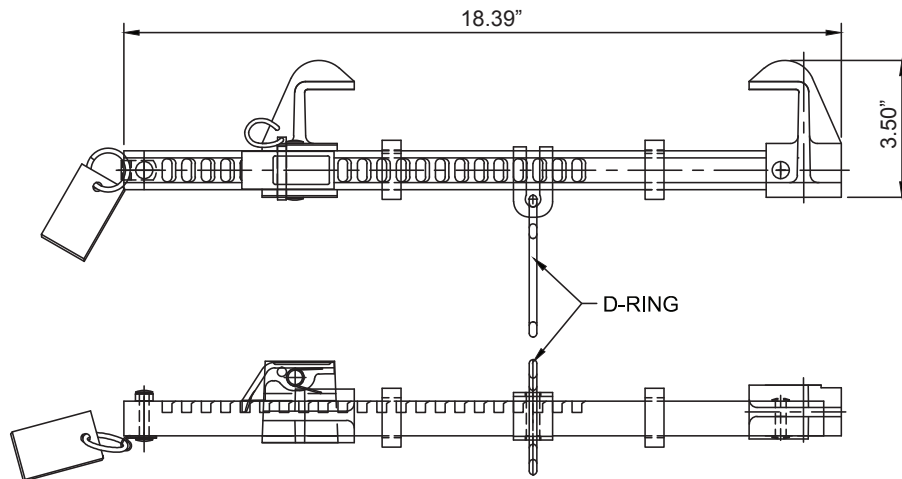


TECHNICAL SPECIFICATIONS

Sliding Beamer Anchor

The Palmer Safety Sliding Beamer is a premium, removable and reusable sliding I-beam anchor that is quick to install, easy to place, and effortless to remove. Engineered for maximum mobility and safety, this anchor is designed to smoothly glide along the beam while seamlessly trailing the worker overhead or at foot level.



APPLICATIONS: Ideal for structural steel erection, commercial construction, bridge work, industrial maintenance, warehouse operations, and any application requiring a secure, trailing fall arrest tie-off point on an I-beam.

BEAM FLANGE WIDTH RANGE: 3.54" - 14"

BEAM FLANGE THICKNESS: 0.25" - 1.25"

HARDWARE FEATURE: Robust D-ring for secure lanyard or SRL attachment

MAXIMUM USER CAPACITY: Single user up to 310 lbs.

WEIGHT: 4 lbs.

CONFORM TO THE NORM: Meets or Exceeds ANSI Z359.18, ANSI Z359.7, OSHA 1910.66, and OSHA 1926.502