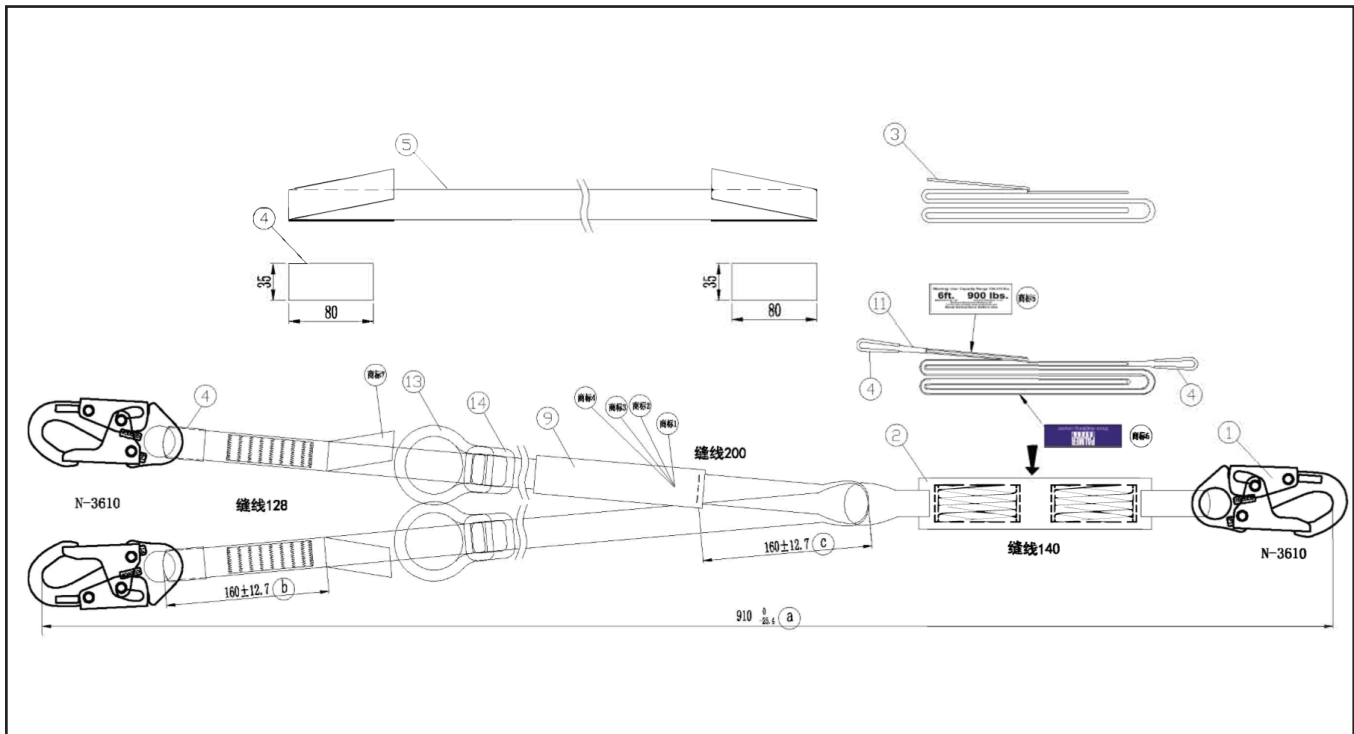


TECHNICAL SPECIFICATIONS

LANYARD 3 FT. TIE BACK, SHOCK ABSORBER, SMALL HOOK, DOUBLE LEG

3 ft. Double Leg Tie Back Lanyard with Shock Absorber, 3/4" Hook, Yellow Webbing. Meets or Exceeds ANSI Z359.13-2013.



- DESIGN:**
- Twin-legged tie-back type shock absorber lanyard
 - Heavy duty & abrasion resistance lanyard leg webbing
 - Forged steel snap hook for better strength

LENGTH: 3.0ft

WEBBING: Material: Steel/Polyester

REFERENCE STANDARD : ANSI 2359.13-2013.