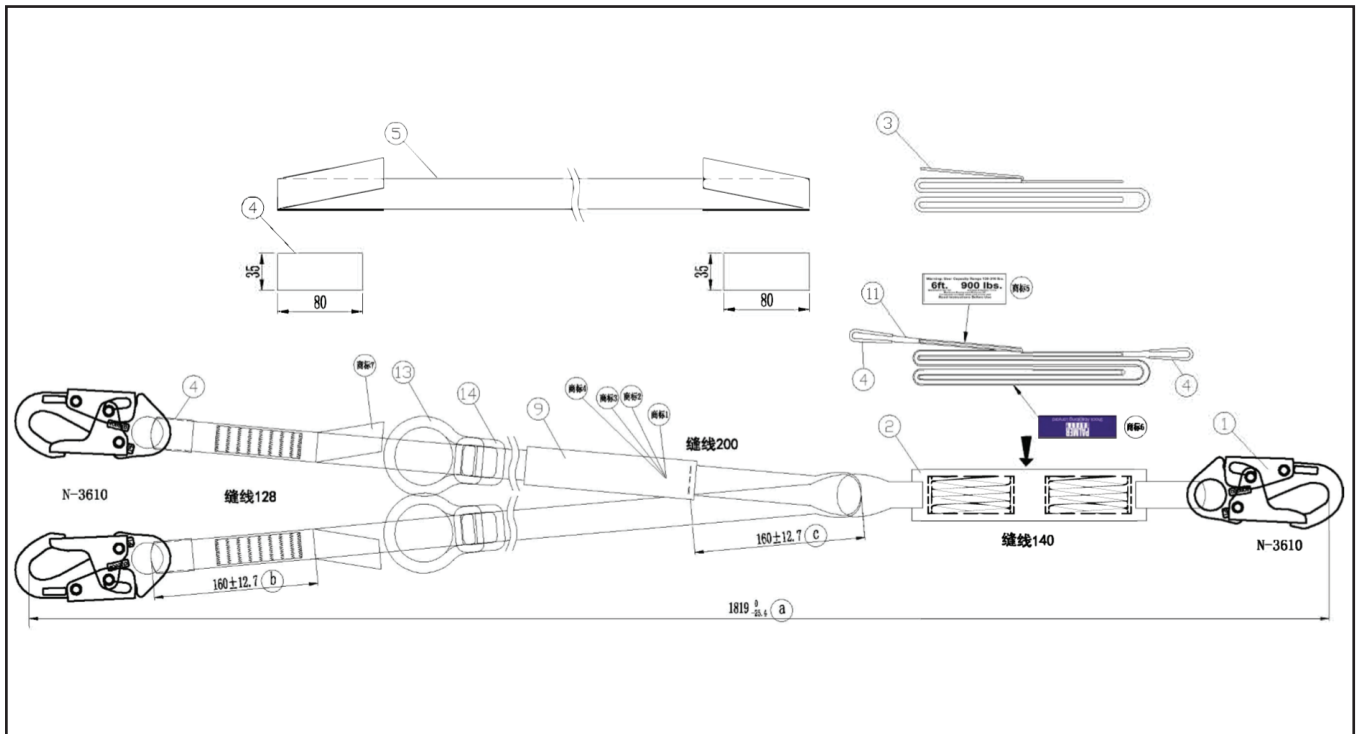


TECHNICAL SPECIFICATIONS

LANYARD 6 FT. TIE BACK, SHOCK ABSORBER, SMALL HOOK, DOUBLE LEG

6 ft. Tie Back Lanyard with Shock Absorber, 3/4" Hook, Yellow Webbing. Meets or Exceeds ANSI Z359.13-2013.



- Twin-legged tie-back type shock absorber lanyard
- DESIGN:** • Heavy duty & abrasion resistance lanyard leg webbing
- Forged steel snap hook for better strength

LENGTH: 6.0ft

WEBBING: Material: Steel/Polyester

REFERENCE STANDARD : ANSI 2359.13-2013.