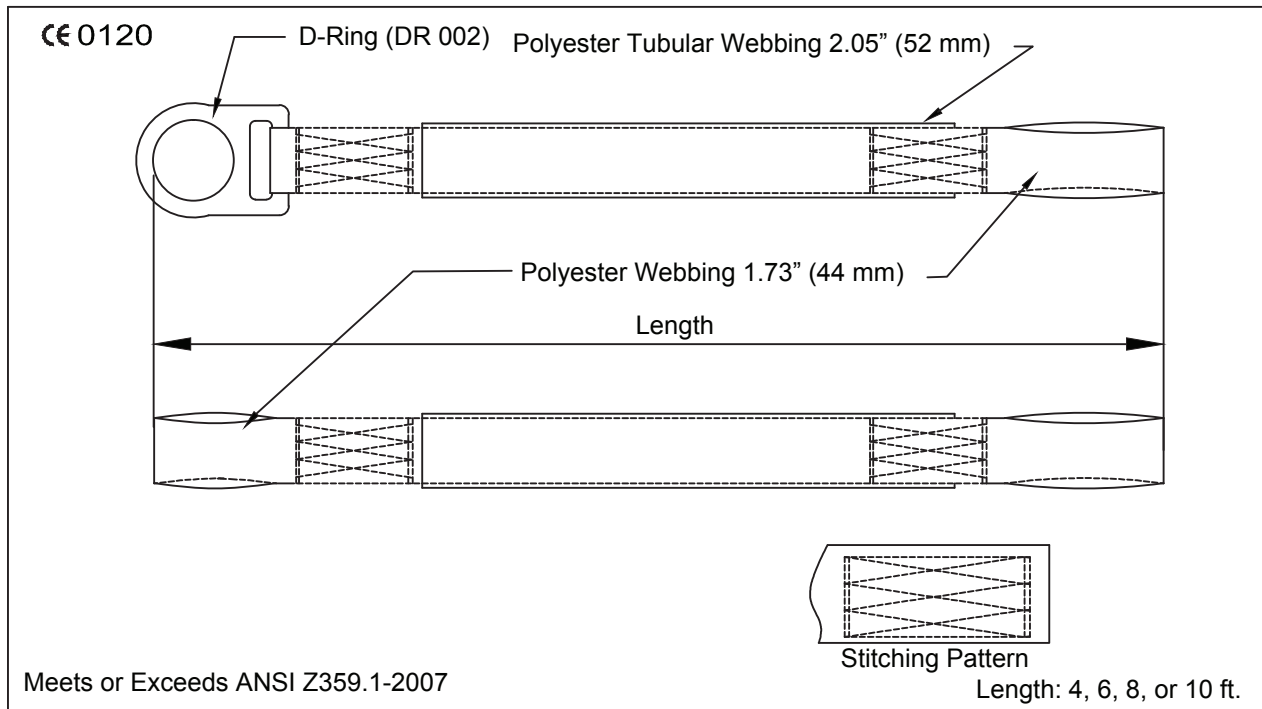


TECHNICAL SPECIFICATIONS

Concrete Anchor Strap (Various Lengths)

Disposable concrete anchor point, strap is attached to a structure capable of supporting 5000 lbs. 1 - 3/4" wide with various length options and large D-Ring or dual loops, full length wear pad. Red strap. Meets or Exceeds ANSI Z359.1-2007 and OSHA.



DESIGN: 1.73" wide polyester webbing with one end having a textile loop and the other side a D-ring (DR-002) or another textile loop depending on model.

WEBBING: Material: Polyester
 Width: 1.73" ± .04"
 Breaking Strength: 25 kN (Min)

STITCHING THREAD: Material: High-tenacity polyester
 Color: White

D-RING: Material: Steel
 Plating: Electro deposited Zinc
 Finish: Deburred & polished

VITAL TEST COMPLIANCE: Static Strength: 10 kN for 3 Minutes
 Dynamic Strength: Free fall from 8.2 ft. height with test mass 220 lbs.

Part #	Length
A4125000	4'
A6125000	6'
A8125000	8'
A10125000	10'
A4125001	4' w/Loop
A6125001	6' w/Loop
A8125001	8' w/Loop
A10125001	10' w/Loop
A12125001	12' w/Loop

WEIGHT: 4.92 ft.: 0.78 lbs. ± 10%