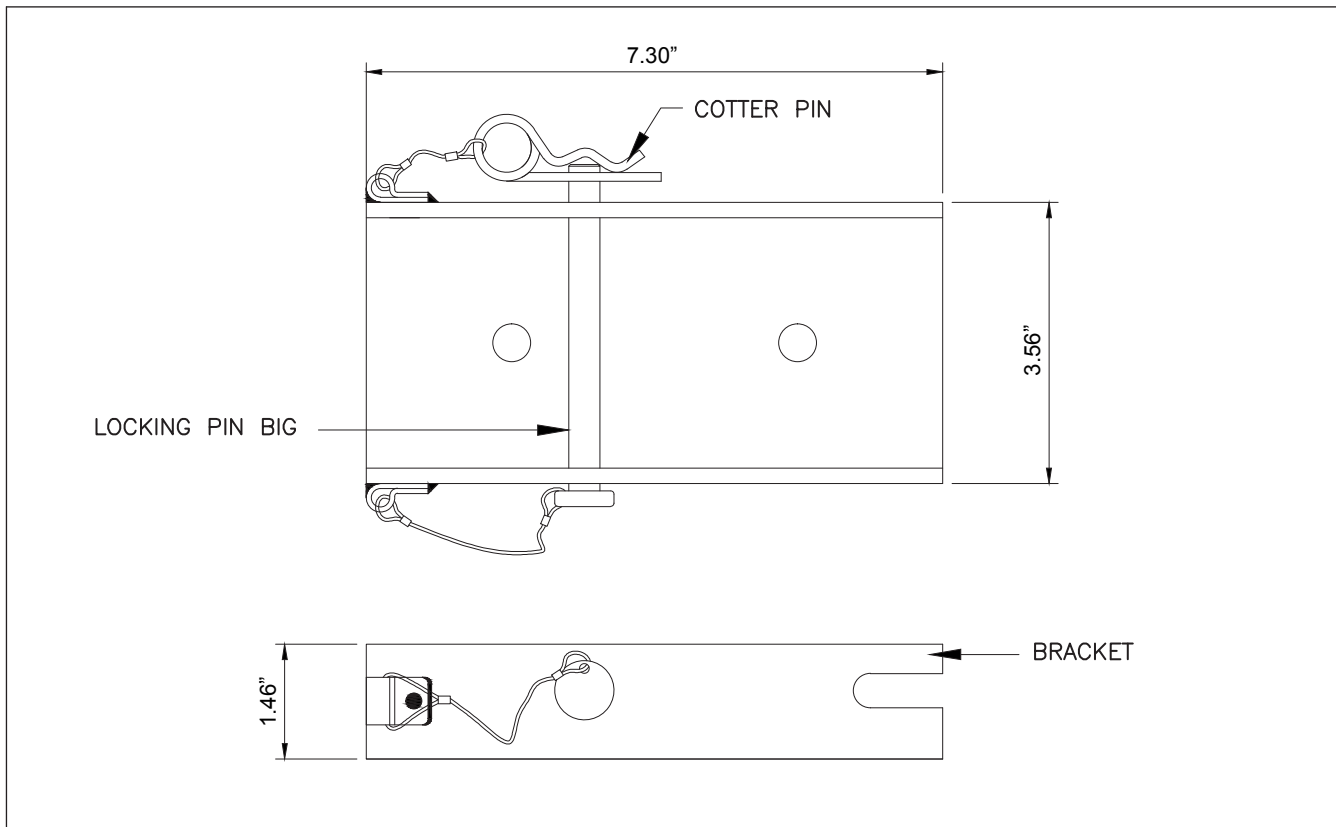


TECHNICAL SPECIFICATIONS

UNIVERSAL BRACKET FOR WINCH TO BE MOUNTED ON MEGAPOD

Confined Space Winch bracket for approved winch.



- DESIGN:**
- Universal mounting bracket for winches PN 801, PN 801(40), PN 818, easy & quick installation on tripod [PN 800(DP)(7ft), PN 800(DP)(10ft), PN 800(DPW)(7ft), PN 800(DPW)(10ft)], Megapod [SA 17(7ft), SA 17(10ft), SA 17W(7ft), SA 17W(10ft)] and K-Pod (PN 900).
 - Detent pin with cotter pin attachment for easy & secure installation on tripod leg.

BODY: Material: Alloy Steel.

FINISH: ED Coated Black.

WEIGHT: 2.93 lbs. ± 0.04 lbs.