

PN: A3145000



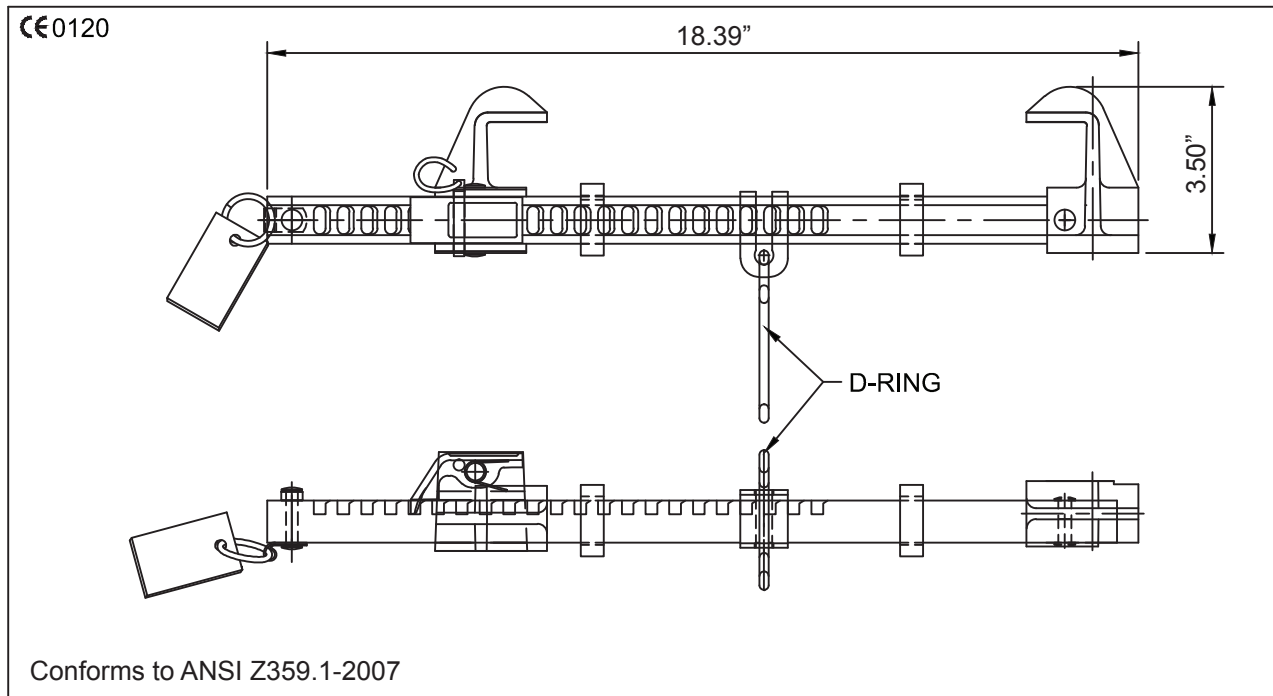
• Fall Protection • Competent Training • Netting • PPE

Phone: (504) 733-1808
Fax: (504) 733-2996
PalmerSafetyUS.com

TECHNICAL SPECIFICATIONS

Anchor Sliding Beamer

Super Slider 5,000 lb. Beam Anchor. A removable and reusable sliding I-beam anchor. Easy to install and remove. This anchor connector is designed to easily glide along the beam while trailing the worker. Adjustable from 3"-12" with a minimum flange thickness of 1/4".



Conforms to ANSI Z359.1-2007

DESIGN: Anchor capable of being installed on flange of beams. Adjustment of the jaw to variable positions enables it to be installed to varying flange widths.

MAX USER WEIGHT: 310-lbs / 140kg

STRENGTH: 5000 lbs.

COMPATIBLE WITH MINFLANGewidth: 3.54 in.

COMPATIBLE WITH MAXFLANGewidth: 13.39 in.

MATERIAL: Aluminum / Yellow Chromate Steel

SYSTEMSTRENGTH: Greater than 23 kN (5000 lbs.)

CONFORM TO THE NORM: Meets or exceeds ANSI Z359.1, OSHA 1926.502

WEIGHT: 3.52 lbs. / 1596g