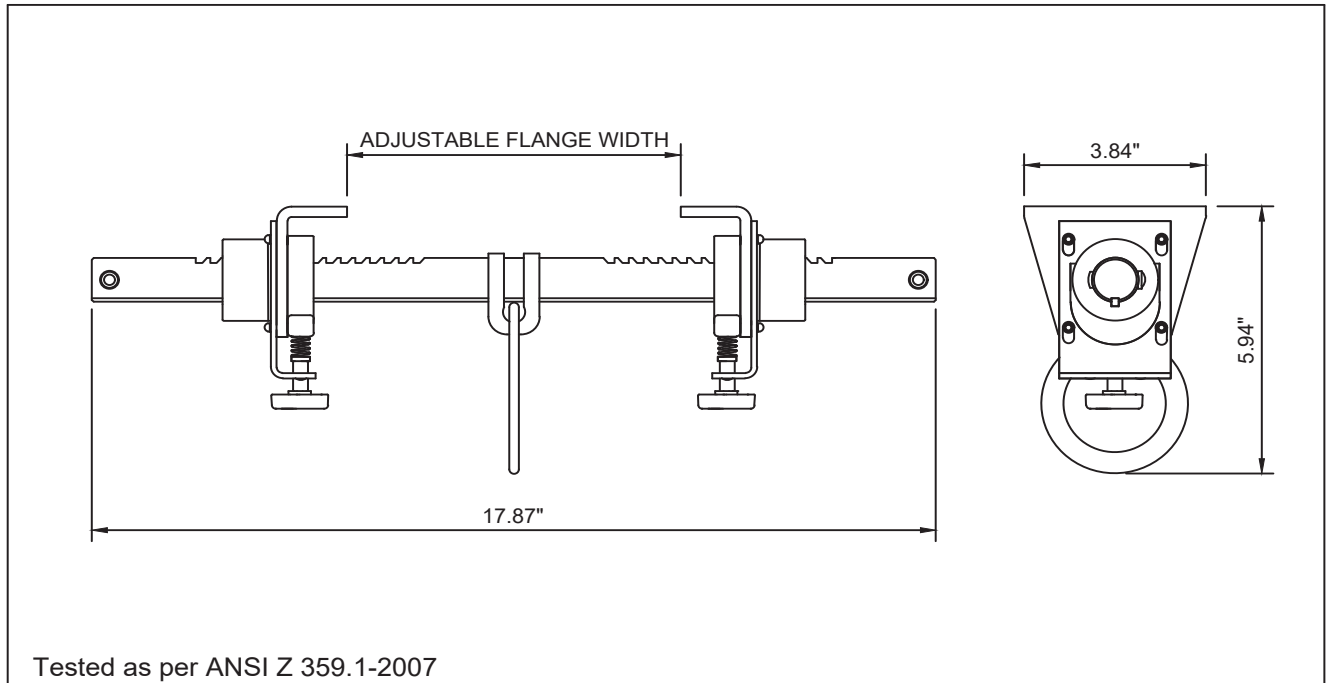


PN: A00007

## TECHNICAL SPECIFICATIONS

### BEAM ANCHOR TROLLEY

I-beam Trolley adjustable 3.54" to 11.41" made of Aluminum and Stainless Steel.



- DESIGN:**
- Anchor connector installed on flange of beams.
  - Adjustment to variable positions enables it to be installed to varying flange widths.
  - Glides smoothly along the beam and provide horizontal mobility.

**MATERIAL:** Aluminum Alloy & Stainless steel.

**SYSTEM STRENGTH:** Greater than 5000 lbs.

**CONFORM TO THE NORM:** Meets or exceeds ANSI Z359.1-2007

**WEIGHT:** 6.21 lbs ± 0.11 lbs.