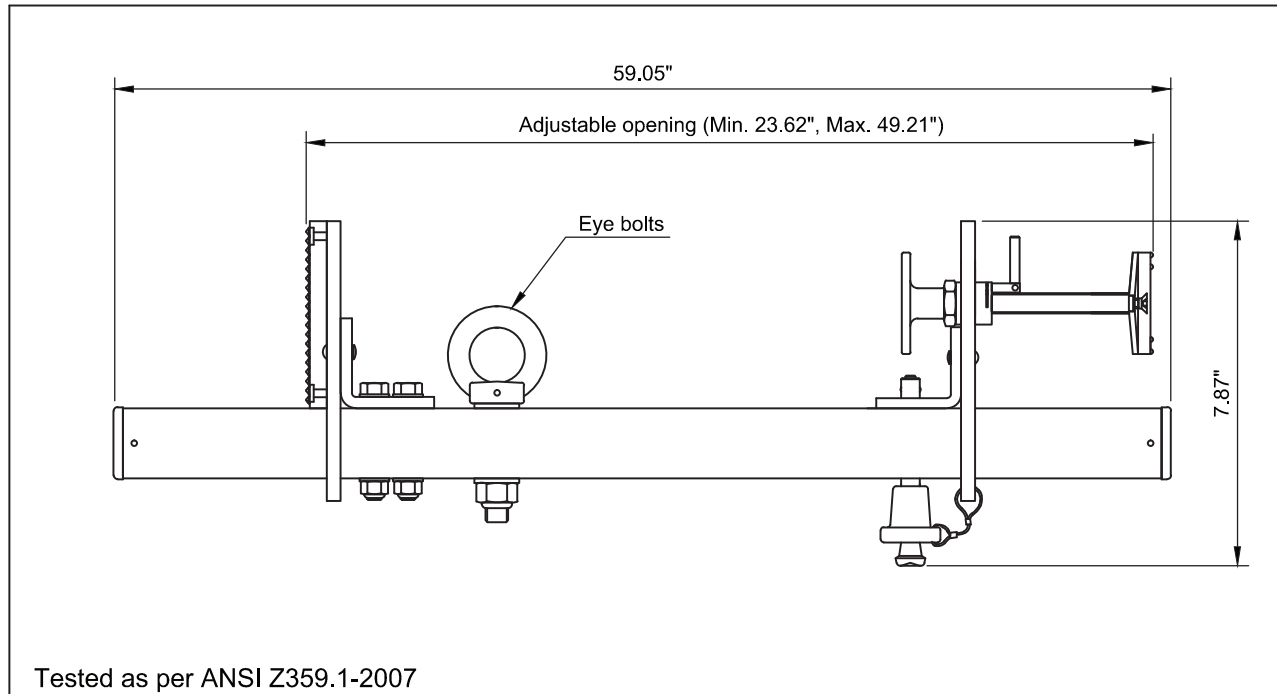


PN: A00003

TECHNICAL SPECIFICATIONS

Anchor Door Jamb

Door Jamb Anchor, Aluminum construction. Min breaking strength 5000 lbs. Conforms to ANSI Z359.1-2007.



- DESIGN:**
- Door/window anchor is compressed against the door or window frame "jamming" itself between the two vertical sides.
 - Made up of high strength aluminum alloy.
 - Light weight & portable.

MINIMUM OPENING: 23.62"

MAXIMUM OPENING: 49.21"

MATERIAL: High strength aluminum alloy

FINISH: Anodized

MINIMUM BREAKING STRENGTH: 5000 lbs.

CONFORM TO THE NORM: ANSI Z359.1-2007

WEIGHT: 12.47 lbs. ± 0.53 lbs.