



•Fall Protection •Training •Netting •PPE

GUARDRAIL PARAPET CLAMP W/POST INSTRUCTION MANUAL



These Instructions Apply to the Following Model(s):
GUARDRAILPARAPET

IMPORTANT:

Do not skip this instruction manual. Read the instruction manual carefully before using the equipment. Failure to do so may cause serious injury or death. These instructions serve as the Manufacturer’s Instructions and are to be used as part of an employee training program for the system, as required by OSHA.

Table of Contents

Overview.....	2
Safety Standards	2
Worker Definitions.....	3
Applications.....	3
Components and Specifications	4
Notes	4
Installation and Use	5
Maintenance, Cleaning, and Storage	6
Inspection.....	7
Inspection Log	7
Safety Information	8

Overview

You have just purchased your very own Palmer Safety Fall Protection Guardrail Parapet Clamp w/Post. This manual must be read and understood in its entirety, whereas any specified training course on fall protection can be utilized to provide the necessary knowledge.

All of these instructions need to be made available to the user of the equipment. The user needs to understand how the Guardrail Parapet Clamp w/Post works and how to use it safely. They also need a basic understanding of fall safety equipment used in combination with the Guardrail Parapet Clamp w/Post.

Safety Standards

All applicable OSHA 1926 Subpart M construction standards and OSHA 1910 general industrial standards for fall protection are followed when this product is used as instructed. Standards are regulated depending on the type of work being done. You can review all regulations at regulatory agencies for more information on fall protection systems, including any of the state-specific regulations.

Worker Definitions

NOTE: It is important to know the definition of those who work near or who may be exposed to fall hazards.

Qualified Person: A person with accreditation for this position who has sufficient experience or standing in their industry. They are responsible for reviewing the effectiveness of fall prevention and rescue procedures.

Competent Person: A fall safety coordinator is a person who has been trained to manage all aspects of a company's fall safety program. This includes the actual regulation, the management thereof and its application. A person tasked with identifying existing or foreseeable hazards. They have the power to temporarily stop work to address any concerns they might have.

Authorized Person: An employee who's area of responsibility includes areas where potential or existing fall hazards exist. These employees need to be trained to understand what it takes to work safely around these hazards.

Qualified or Competent person on jobsite is responsible for training and inspection of the Guardrail Parapet Clamp w/Post. Please contact your local Palmer Safety Specialist if you have questions or need training. We can provide training on the jobsite.

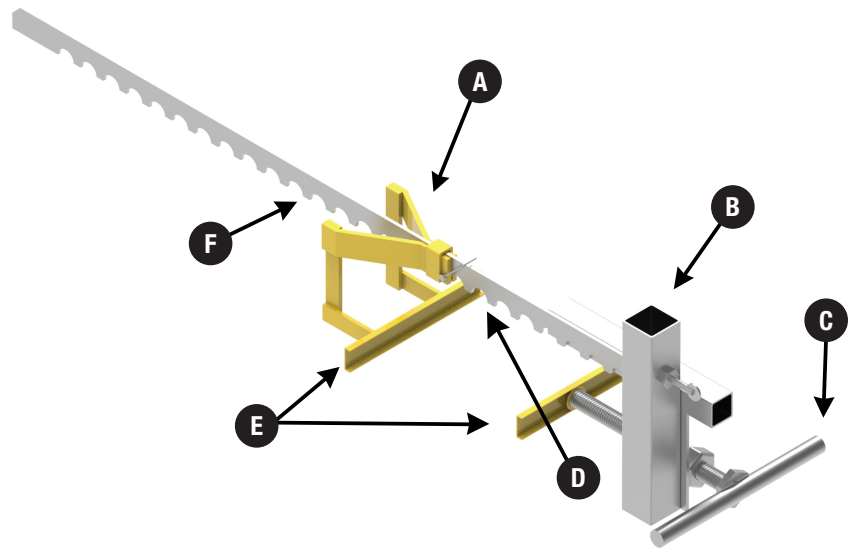
Applications

WARNING: Using the equipment in ways other than its intended purpose may result in severe injury or death. Guardrail Parapet Clamp w/Posts are not intended for any connections, never attach anything to a Guardrail Parapet Clamp w/Post that is not specifically a part designed for use with the system. Do not ever climb, sit or lean on the Guardrail Parapet Clamp w/Post.

Fall Prevention: This Guardrail Parapet Clamp w/Post is only designed to be used in Fall Prevention applications. This system is to be placed around the leading edge of a fall hazard to stop workers from falling off the edge. This system can be used in place of other fall protection or safety netting. The procedures in these instructions must be followed when planning, setting up and using the Guardrail Parapet Clamp w/Post. Nothing can ever be attached to a fall prevention system that has not been specifically designed for use in such a system. No connections are allowed for Fall Arrest, Restraint, Worker Positioning or Rescue operations.

Product Components

- A: Adjustment Bracket
- B: Guardrail Post Installation Location
- C: Clamp Adjuster
- D: Locking Pin and Clasp
- E: Clamp Plates
- F: Adjustment Rack



Product Specifications

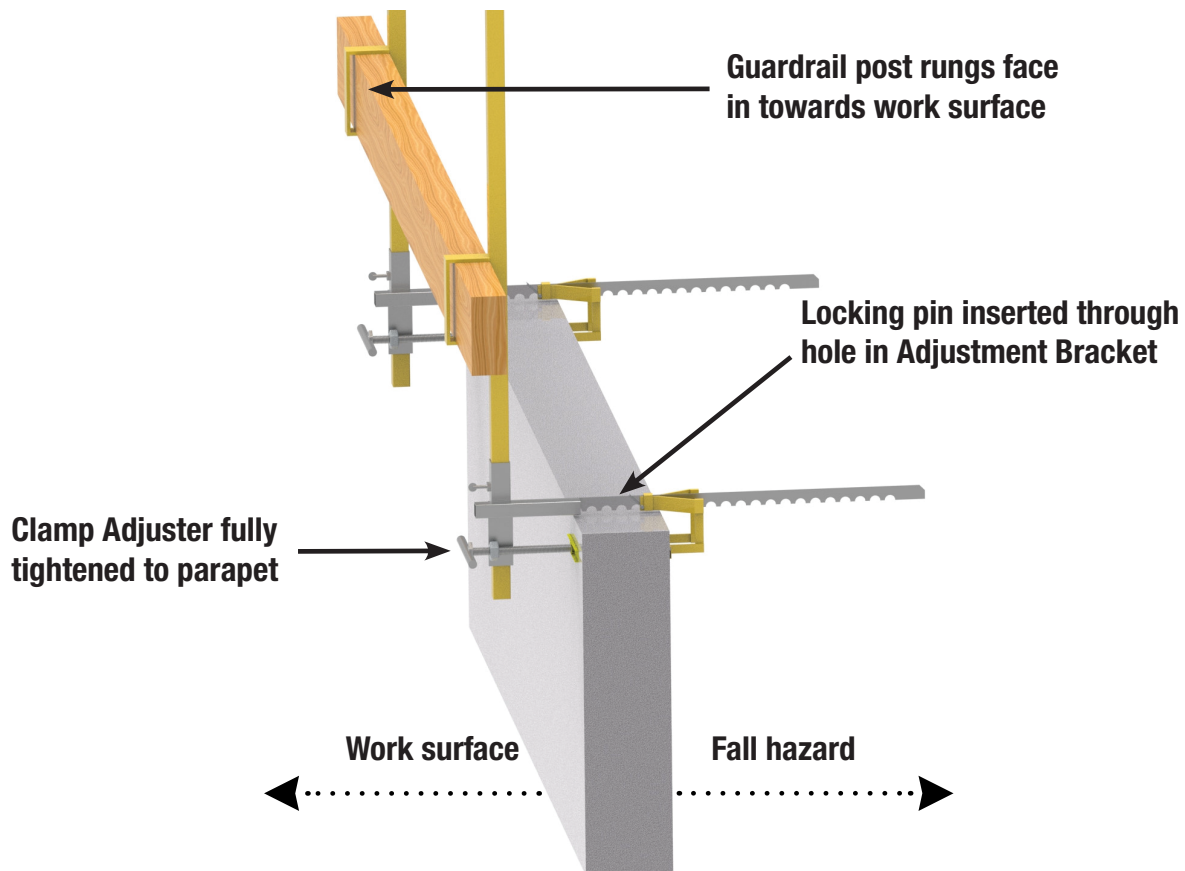
Guardrail Parapet Clamp w/Post
For Fall Prevention ONLY
Materials Powder-Coated Steel and Galvanized Steel

Notes

1. Make sure all workers have read and understand the warnings and instructions associated with this equipment.
2. Make sure all workers are using other fall protection methods while installing fall prevention systems.
3. Check to be sure the intended installation location is suitable for Guardrail Parapet Clamp installation and free of hazards such as, but not limited to rot, decay, cracking or hazardous materials.
4. Guardrail Parapet Clamp w/Posts must be installed at least 10' away from power lines or other electrical dangers.
5. All leading edges of a fall hazard must be blocked.
6. No connections can be made to Fall Prevention systems.
7. All Fall Prevention Systems must be deemed compatible by a Competent Person. All guardrails must be compatible with 2x4 or 2x6 construction grade lumber.
8. Top rail must be 42" (+/- 3") above the work surface, not the parapet. Mid-rails must be halfway between the top edge of the top rail and the working surface.
9. Lay out the job by measuring and spacing the location of the Guardrail Parapet Clamp on the work surface. Failure to properly measure and plan ahead may result in having to move and reinstall the system.
10. Guardrail Parapet Clamp W/Post must be installed flush against the parapet and must allow the guardrail post to be positioned perpendicular to the work surface

Installation

1. Unhook locking clasp from locking pin and remove locking pin from adjustment rack. Position adjustment rack so the Guardrail Parapet Clamp will fit as tight as possible against the parapet wall. Reinsert the locking pin and secure with the locking clasp.
2. Place Guardrail Parapet Clamp over parapet wall. The clamp adjuster must face towards the work surface.
3. Tighten the clamp adjuster until snug. Ensure the Guardrail Parapet Clamp is firmly secured to the parapet and does not have any play. Ensure both clamp plates are flush with the parapet. Guardrail Parapet Clamp must be attached to the parapet so that the top rail of the guardrail system is 42" (+/- 3") above the working surface.
4. Install (2) 3" x 3/16" Tapcon® (or equivalent) screws through holes in the adjustment clamp plate and fully embedded in the parapet.
5. Repeat the above steps for each Guardrail Parapet Clamp in the system.
6. Install guardrail posts in all Guardrail Parapet Clamps. Guardrail post rungs must face in towards the work surface.
7. Install guardrails in all guardrail post rungs. Guardrail must be compatible snap on metal rail or 2x4 or 2x6 construction grade lumber. If using lumber guardrails, lap the guardrails in a continuous direction. Lumber guardrails must overlap a minimum of 12" at each end between consecutive guardrail posts.



Maintenance, Cleaning, and Storage

If Guardrail Parapet Clamp w/Post fails inspection in any way, immediately remove it from service, and contact Palmer Safety to inquire about its return or repair.

Cleaning after use is important for maintaining the safety and longevity of Guardrail Parapet Clamp w/Post. Remove all dirt, corrosives, and contaminants from Guardrail Parapet Clamp w/Post before and after each use. If Guardrail Parapet Clamp w/Post cannot be cleaned with plain water, use mild soap and water, then rinse and wipe dry. NEVER clean Guardrail Parapet Clamp w/Post with corrosive substances.

Prior to use, store equipment where it will not be affected by heat, light, excessive moisture, chemicals, or other degrading elements.

Inspection

- 1.) All Guardrail Parapet Clamp w/Post components should be inspected before each use.
If any damage is found or system is involved in a fall remove from jobsite immediately.
- 2.) Guardrail components should be inspected by a Competent Person annually.
- 3.) All inspections should be documented.

Palmer Safety would be glad to help with any inspections.

Inspection Log

SERIAL NUMBER:			
MODEL NUMBER:			
DATE PURCHASED:		DATE OF FIRST USE:	

	J	F	M	A	M	J	J	A	S	O	N	D
YR												
YR												
YR												
YR												
YR												

Product lifetime is indefinite as long as it passes pre-use and Competent Person inspections. User must inspect prior to EACH use. Competent Person other than user must complete formal inspection annually. Competent Person to inspect and initial.

This inspection log must be specific to one Guardrail Parapet Clamp w/Post. All inspection records must be made visible and available to all users at all times.

If equipment fails inspection or is involved in a fall **REMOVE FROM SERVICE IMMEDIATELY.**

INSPECTION DATE	INSPECTION ITEMS NOTED	CORRECTIVE ACTION	MAINTENANCE PERFORMED
Approved by:			
Approved by:			
Approved by:			
Approved by:			
Approved by:			

Safety Information

WARNING: Failure to understand and comply with safety regulations may result in serious injury or death. Regulations included herein are not all-inclusive, are for reference only, and are not intended to replace a Competent Person's judgment or knowledge of federal or state standards.



General Work Products LLC
6000 Jefferson Hwy
Harahan, LA 70123
(504) 733-1808
www.PalmerSafetyUS.com