



TECHNICAL SPECIFICATIONS

3-Ply Disposable Face Mask

Part #: FM3PLY

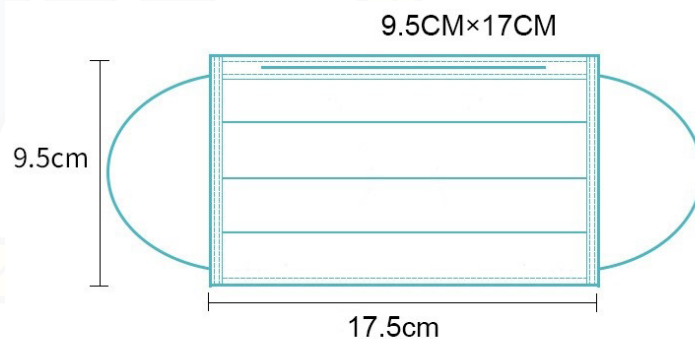
Our standard 3-Ply Disposable Face Mask is a comfortable fit, offers perspiration absorption, and reduces fog to eye wear. Manufactured with micro fine filter media that protects against respirable suspended particulate matter, dust, fluids, germs, and weather. Applications may include traveling through congested airports, bus terminals, malls, parks, offices, grocery stores, and busy city streets.

- Available Color: Light Blue
- Size/Length: Universal
- Pack Quantity: 10 Masks
- Case Quantity: 250 Packs (2,500 Masks)



KEY FEATURES

- Ultra Soft For Maximum Comfort
- Elastic Ear Loop
- Latex Free



Specifications are subject to change without notice. General Work Products makes no warranties to the use for a specific use or installation of products referred to, no guarantee of satisfactory results from reliance upon contained information or recommendations and disclaims all liability for resulting loss or damage. General Work Products recommends installing the herein specified products in accordance with ANSI A-10-11-1989 and OSHA 1926.502 or all applicable local, state or federal requirements. Correct installation is the sole responsibility of the user/installer.